



**Deutsches
Forschungszentrum
für Künstliche
Intelligenz GmbH**

**Technical
Memo**
TM-92-05

The Refitting of Plans by a Human Expert

Franz Schmalhofer, Christoph Globig, Jörg Thoben

June 1992

**Deutsches Forschungszentrum für Künstliche Intelligenz
GmbH**

Postfach 20 80
D-6750 Kaiserslautern, FRG
Tel.: (+49 631) 205-3211/13
Fax: (+49 631) 205-3210

Stuhlsatzenhausweg 3
D-6600 Saarbrücken 11, FRG
Tel.: (+49 681) 302-5252
Fax: (+49 681) 302-5341

Deutsches Forschungszentrum für Künstliche Intelligenz

The German Research Center for Artificial Intelligence (Deutsches Forschungszentrum für Künstliche Intelligenz, DFKI) with sites in Kaiserslautern and Saarbrücken is a non-profit organization which was founded in 1988 by the shareholder companies Daimler-Benz, IBM, Insiders, Fraunhofer Gesellschaft, GMD, Krupp-Atlas, Digital-Kienzle, Philips, Sema Group Systems, Siemens and Siemens-Nixdorf. Research projects conducted at the DFKI are funded by the German Ministry for Research and Technology, by the shareholder companies, or by other industrial contracts.

The DFKI conducts application-oriented basic research in the field of artificial intelligence and other related subfields of computer science. The overall goal is to construct systems with technical knowledge and common sense which - by using AI methods - implement a problem solution for a selected application area. Currently, there are the following research areas at the DFKI:

- Intelligent Engineering Systems
- Intelligent User Interfaces
- Intelligent Communication Networks
- Intelligent Cooperative Systems.

The DFKI strives at making its research results available to the scientific community. There exist many contacts to domestic and foreign research institutions, both in academy and industry. The DFKI hosts technology transfer workshops for shareholders and other interested groups in order to inform about the current state of research.

From its beginning, the DFKI has provided an attractive working environment for AI researchers from Germany and from all over the world. The goal is to have a staff of about 100 researchers at the end of the building-up phase.

Prof. Dr. Gerhard Barth
Director

The Refitting of Plans by a Human Expert

Franz Schmalhofer, Christoph Globig, Jörg Thoben

DFKI-TM-92-05

This paper will be published in: F. Schmalhofer, G. Strube, Th. Wetter (Eds.), "Contemporary Knowledge Engineering and Cognition", Springer-Verlag, Berlin 1992.

This work has been supported by a grant from The Federal Ministry for Research and Technology (FKZ ITW-8902 C4).

© Deutsches Forschungszentrum für Künstliche Intelligenz 1992

This work may not be copied or reproduced in whole or in part for any commercial purpose. Permission to copy in whole or in part without payment of fee is granted for nonprofit educational and research purposes provided that all such whole or partial copies include the following: a notice that such copying is by permission of Deutsches Forschungszentrum für Künstliche Intelligenz, Kaiserslautern, Federal Republic of Germany; an acknowledgement of the authors and individual contributors to the work; all applicable portions of this copyright notice. Copying, reproducing, or republishing for any other purpose shall require a licence with payment of fee to Deutsches Forschungszentrum für Künstliche Intelligenz.

Contents

1. Introduction.....	1
2. Case-Oriented Expert Systems for Mechanical Engineering Planning Tasks.....	1
3. Plan Refitting.....	3
3.1 Different Types of Modifications between Source and Target Plans.....	4
3.2 Comparison of Structural Relations among Four Different Plan Pair Groups.....	7
3.3 Assessing the Expert's Consistency in the Source-Case Selections.....	8
4. Conclusion.....	8
References.....	10

The Refitting of Plans by a Human Expert

Franz Schmalhofer, Christoph Globig, Jörg Thoben

German Research Center for Artificial Intelligence
University Bldg 57
Erwin-Schroedinger Str.
W-6750 Kaiserslautern

email: schmalho@informatik.uni-kl.de

Abstract. During the course of the development of a Case-Oriented Expert System for situated applications additional cases were needed. The required cases were obtained by having a human expert refit old solutions to new problems and the structural relations between source and target cases were analyzed: A higher degree of reuse of the old cases was found when the expert could apply derivational reasoning and a uniform design rationale (i.e. the solution of the source was generated by the expert himself) than when the expert could only analyze structural relationships (i.e. the source solution was constructed by some one else). Except with very obvious cases, it was also found, that different experts perceive different cases as the most similar source to a given target problem. The results also indicate for user-situated applications of expert systems.

1. Introduction

In order to overcome the brittleness of first generation expert systems, it has recently been proposed to develop Case-Oriented Expert Systems (COEx-Systems), which allow situated applications (Schmalhofer & Thoben, 1992). One prerequisite for developing such a system is that a sufficient number of prototypical cases are available for the desired competence of the system. Since originally we had only very few cases, we had an expert generate solutions to additional prototypical problems by having him refit old solutions, so that they would become solutions for those problems.

The current paper first reviews the integrated knowledge acquisition method (Schmalhofer, Kühn & Schmidt, 1991) for COEx-Systems together with their general characteristics. We then present a structural analysis of the refitted plans. Finally several conclusions with respect to the development of expert systems and the situated applications of old cases are drawn.

2. Case-Oriented Expert Systems for Mechanical Engineering Planning Tasks

In the knowledge acquisition phase for such COEx-Systems, model-based abstractions are formed from concrete past experiences, so that they can be reused in novel situations. Human expert judgments concerning the classification and similarities of the concrete past experiences are applied to obtain an abstraction hierarchy of problem classes (Bergmann & Schmalhofer, 1991; Schmalhofer, Reinartz & Tschaitshian, in press) and supplementary knowledge from

written materials is used to obtain explicit operator definitions (Schmidt, 1992) so that associated skeletal plans can be constructed (Bergmann, 1992; Friedland, 1985).

The knowledge acquisition for such systems thus yields an abstraction hierarchy of problem classes with associated skeletal plans which allow for a situated utilization of past experiences in future tasks. During the knowledge acquisition phase, these past experiences have been interpreted by one or several experts within some uniform rationale. More details about such systems can be found in Schmalhofer & Thoben (1992). The respective knowledge acquisition procedures and tools were summarized by Schmalhofer, Bergmann, Kühn & Schmidt (1991). The model of expertise or problem solving model (Breuker & Wielinga, 1989), which underlies COEx-Systems for planning tasks has been described by Kühn & Schmalhofer (1992).

Our research group has recently been developing such a system for production planning problems in mechanical engineering. Without going into any details of this application domain, we can state that production planning is a typical planning problem: For example, the mold of the workpiece defines the given state and the goal workpiece defines the goal state of the manufacturing problem. A number of different types of operations (chucking, unchucking, cutting operations) are available for transforming the mold (given state) to the goal workpiece (goal state). The operations themselves are quite complex requiring the specification of a number of different parameters (such as cutting path specification, specific cutting parameters, toolholders, etc.). It is therefore very useful to classify and abstract operations to different types of macro-operators.

Geometry		Workpiece																				
		Drive Shaft g1				Drive Shaft g2				Pinion Shaft g3				Axle Shaft g4				Axle Shaft g5				
Workpiece material		w1	w2	w3	w4	w1	w2	w3	w4	w1	w2	w3	w4	w1	w2	w3	w4	w1	w2	w3	w4	
Manufacturing machines (lathes)	d1					3	3	1		3	3	1		4	4	2		4	4	2		*
	d2	5	5	7	9	5	5	7	9	5	5	7	9	6	6	8	10	6	6	8	10	*
	d3	m1				m2								m4				m5				*

Table 1 (after Schmalhofer & Thoben, 1992): A number of specific problems are used in order to delineate the competence of the future expert system. From the factorial combination of three types of manufacturing machines (d_1, d_2 , and d_3), and workpieces with five different types of geometries (g_1, g_2, g_3, g_4 , and g_5) and materials (w_1, w_2, w_3 , and w_4) fifty-two problems were identified as meaningful. The numbers 1 to 10 indicate the abstract problem classes to which a specific prototypical problem belongs. An abstraction hierarchy for these problem classes is shown in Figure 1. See text for further explanation.

Since a production plan strongly depends upon the specific geometry of the workpiece (**g**), the workpiece material (**w**), and the particular machine (**d**), which are to be used when manufacturing the workpiece, we denote production problems with the descriptors **g**, **w**, and **d**. By using different indices with these descriptors we can thus refer to a given manufacturing problem.

In Table 1 sixty production problems are specified through the factorial combination of 3 manufacturing machines ($d_1, d_2,$ and d_3), five different geometries ($g_1, g_2, g_3, g_4,$ and g_5) and four different workpiece materials ($w_1, w_2, w_3,$ and w_4). Fifty-two of these problems (all problems whose cells are marked by a number between 1 and 10) are the prototypical problems, which delineate the desired competence of the future expert system. Problems with the same number were assigned to the same abstract problem class. The abstraction hierarchy of these ten abstract problem classes is shown in Figure 1.

Since only five production plans were originally available for the 52 prototypical problems, i.e. the cases $m_1, m_2, m_3, m_4,$ and m_5 (see Table 1), an expert refitted these plans (refitting roots) and his subsequently generated plans (refitting children) for 16 of the 52 prototypical problems. He also constructed one production plan from scratch ($g_5w_4d_1$). In Table 1, the problems with associated refitted plans are indicated by the asterisks.

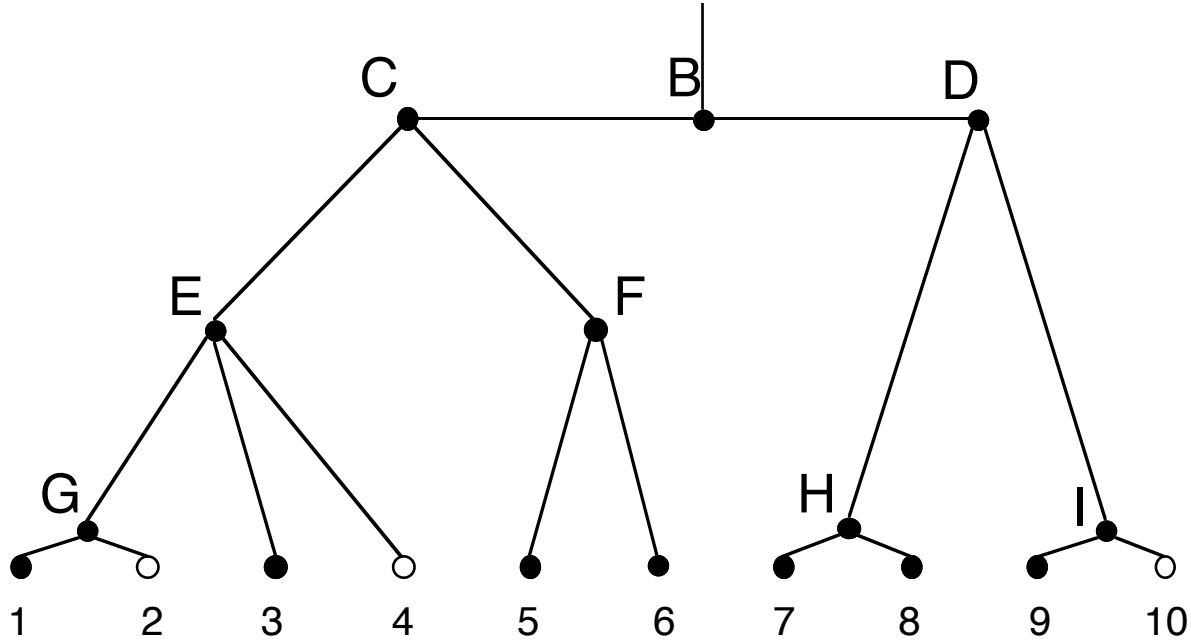


Figure 1: Shown is the problem abstraction hierarchy for 10 abstract problem classes (see Table 1)

3. Plan Refitting

Figure 2 identifies the different source cases which the expert used for finding solution plans for the 16 target problems: The source-target case relation is indicated by an arrow. Whereas case m_3 was five times used as a direct source, the cases $m_1, m_2,$ and m_4 were each only used once as a direct source and case m_5 was never used as a source. On 8 occasions one of the cases which had already been tested in the real world (tested source case or refitting root) were used as source and 8 times a solution plan which the expert had generated himself (i.e. a refitting child) was used as source (self-generated source case).

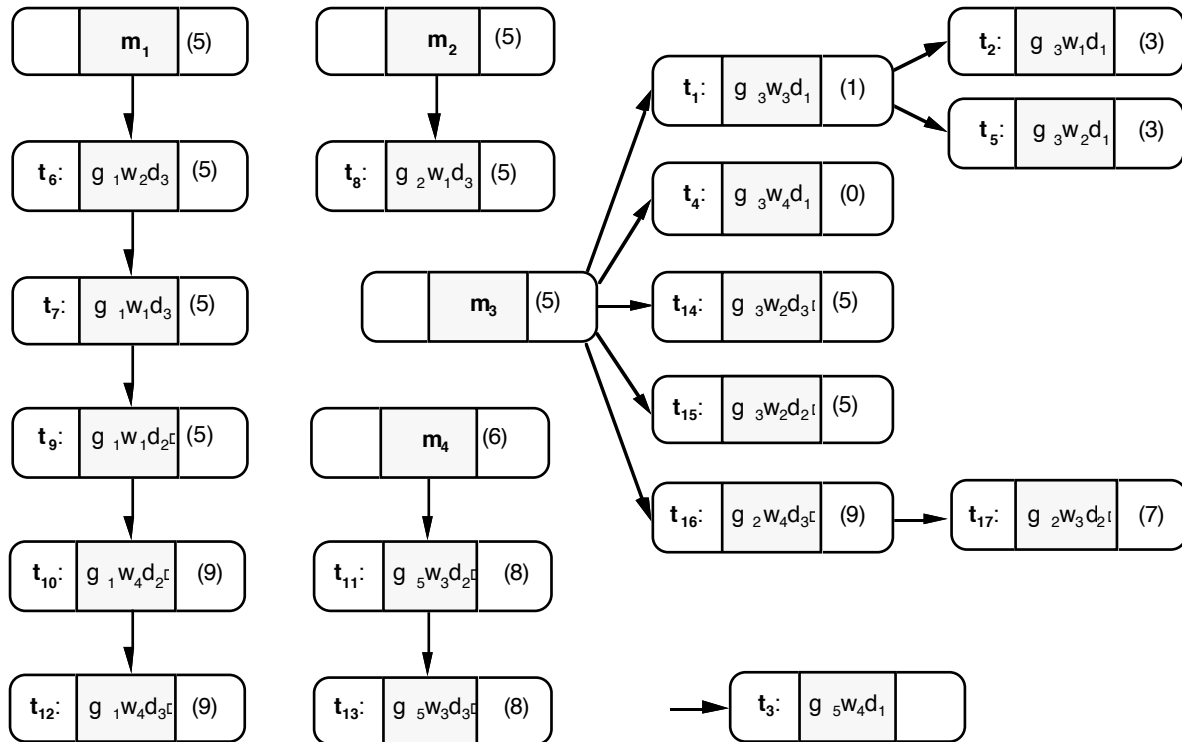


Figure 2 (after Schmalhofer & Thoben, 1992): The source case - target case relation is shown for the 17 tasks (t_1 to t_{17}) which were solved by the expert. In parentheses the abstract problem class that a specific task is associated with (see Figure 1) is noted. Task t_3 was solved from scratch, so that there is no source case associated with it. Whereas the cases m_1 , m_2 , m_3 , and m_4 served as refitting roots, the other cases are denoted as refitting children.

The task numbers t_1 to t_{17} indicate the temporal order in which the 16 refitting and the one plan construction task (t_3) were performed by the expert. These numbers show that the immediately preceding target solution was very often used as the source for the next target problem. For example the solution to task t_6 was used as a source for t_7 and the solution to t_{14} was used as the source for t_{15} . On other occasions somewhat earlier preceding target solutions were used as the source for the current target problem. For example, the last but one target solution was used as the source for task t_{13} . These temporal relationships indicate that for the refitting of old plans, the expert tried to maintain a fresh memory of the modification processes by which he constructed the old plan.

When the expert remembers his reasoning (i.e. the derivations), by which he constructed or modified the old plan, he can perform derivational refitting processes (Carbonell, 1986). When the old cases was generated by somebody else, as for example the tested source cases m_1 , m_2 , m_3 , m_4 and m_5 (i.e. the refitting roots), the expert is more likely to perform only structural refitting processes (Hammond, 1989). Another important observation was: The plans which were obtained by modifying an already existing plan were completed by an order of magnitude faster than the plan which was produced from scratch (t_3).

3.1 Different Types of Modifications between Source and Target Plans

We also analyzed more detailed structural relations between the source and target plans. Thereby it was distinguished between the refitting of tested source cases (i.e. refitting roots), where the expert was very likely to only use structural analogies and the refitting of self-

generated source plans (i.e. refitting children), where the expert could at least to a certain degree also apply derivational analogies.

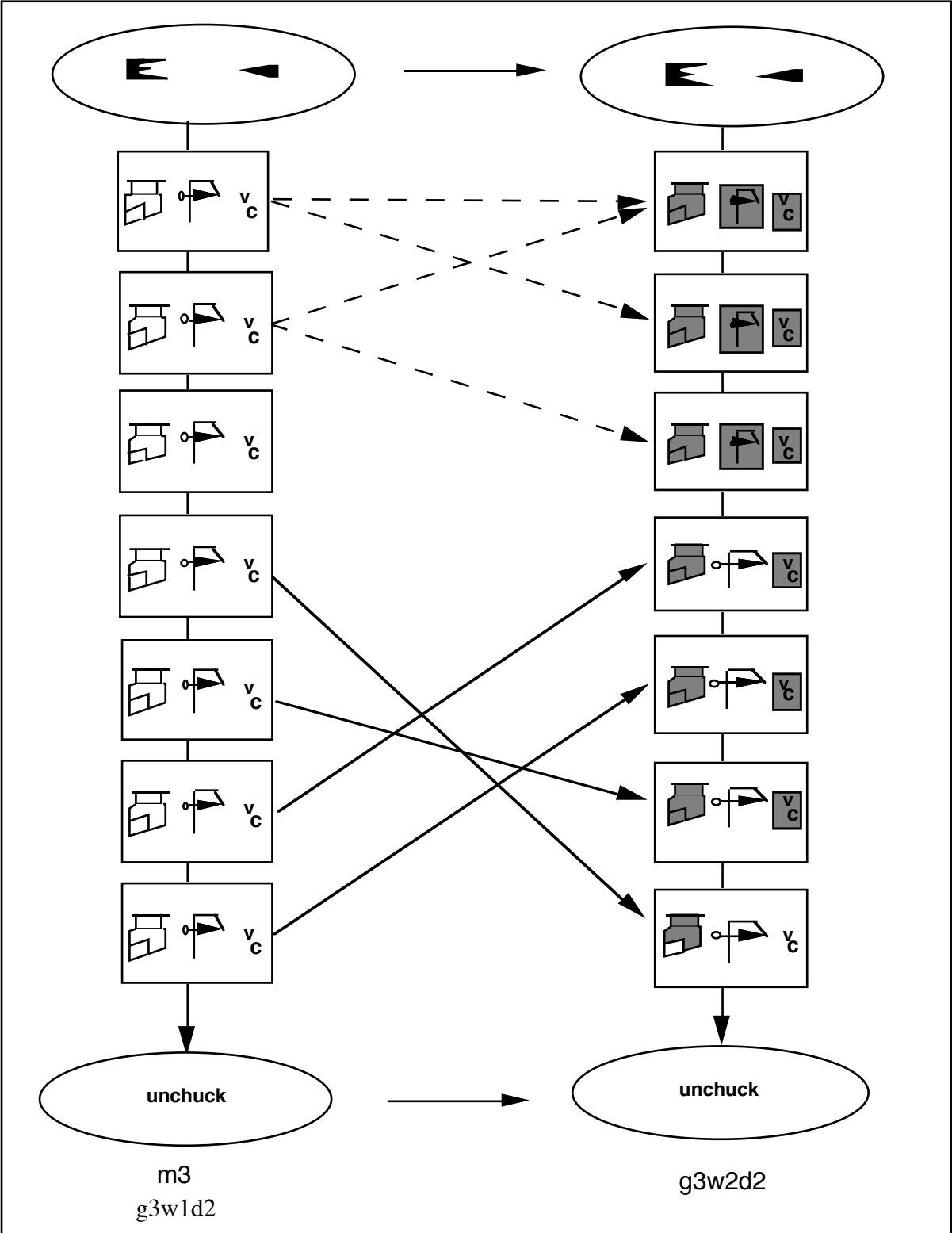


Figure 3: Shown are the structural relations between the tested source case m3 for problem g3w1d2 and the resulting target plan for problem g3w2d2. See text for further explanation.

Figure 3 shows the structural relationships between the operators of the tested source case m3 and the refitted plan for the manufacturing problem g3w2d2. The Figure shows the structural

relationships between corresponding operators of the source plan m_3 for problem $g_3w_1d_2$ and the target plan for problem $g_3w_2d_2$ at the macro level. The ovals represent chucking and unchucking operations. All cutting (macro-)operations are indicated by rectangles. Within these rectangles, 1) the toolholder together with cutting tool, 2) the cutting path, and 3) the cutting parameter v_c are symbolically represented from left to right. Shaded symbols in the target plan indicate changes from the source to the target. The solid lines with arrows indicate which operations of the source were reused in the target plan. The dashed lines indicate substantial changes in the individual operations themselves.

The first two cutting operations of the source plan (see left side of Figure 3) were splitted apart and the resulting components were rejoined across the original operations of the source plan. Two new operations were thus created, which differ in all three parameters from the operations in the source case (see right side of Figure 3). As a consequence, the third cutting operation of the source was completely eliminated from the target.

The execution order of the fourth and the fifth cutting operation of the source was also changed in the target. While the cutting path remained identical, cutting tool and cutting parameters were adjusted to the new workpiece material. The same modification was performed for the sixth and the seventh operation, except that these operations were not reordered in the target plan.

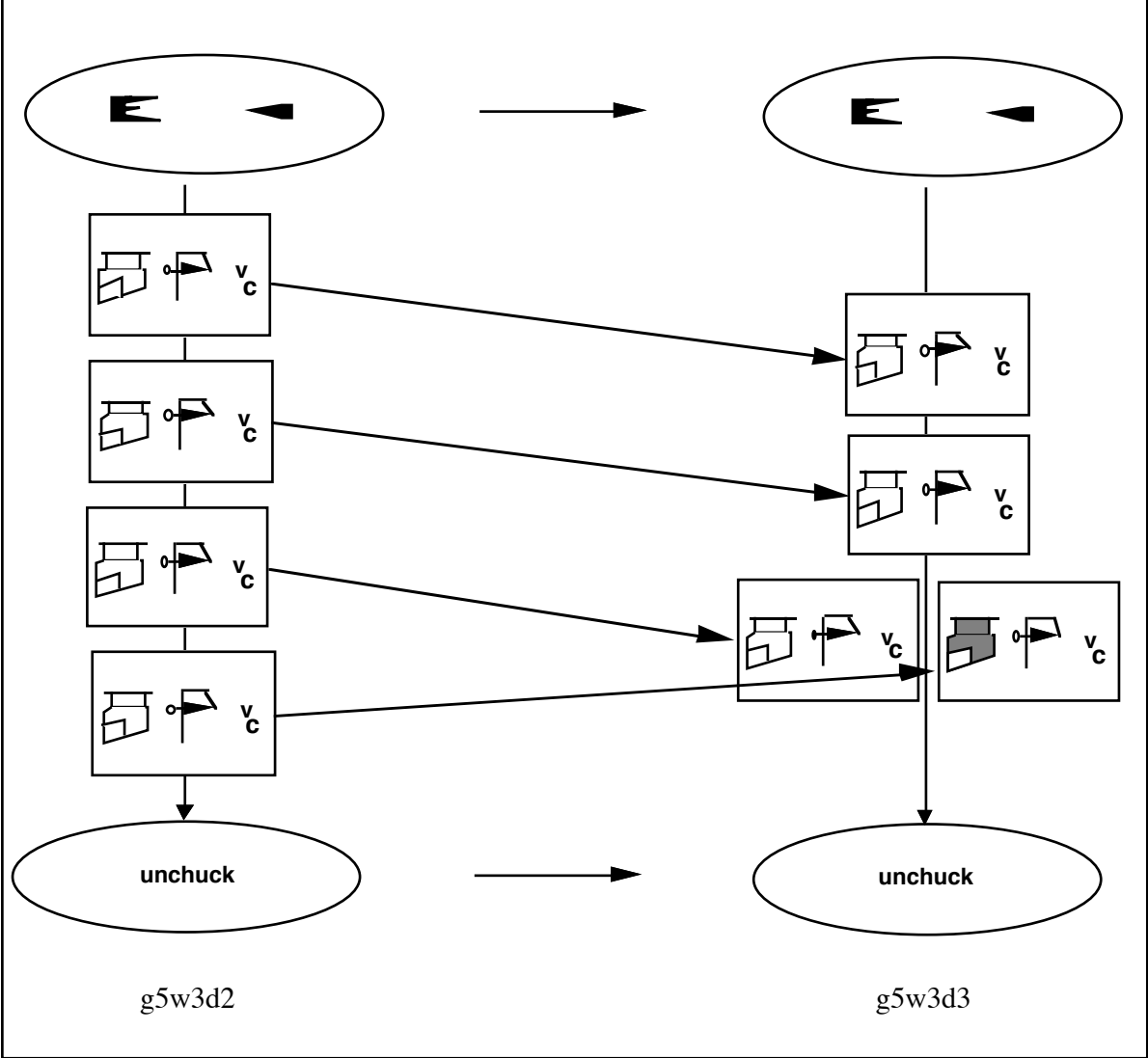


Figure 4: Shown are the structural relations between a self-generated source and the resulting target case. See text for further explanation.

Figure 4 shows the structural relationships between the self-generated source plan $g5w3d2$ and a target plan which is refitted for a machine which allows parallel processing. Whereas the chucking operations as well as the first two cutting operations remain identical, the third and fourth operations of the source are now executed in parallel in the target plan. In addition, one of the toolholders is changed. This source-target pair thus shows a large degree of reuse of the operations and the execution sequence of the old plan.

3.2 Comparison of Structural Relations among Four Different Plan Pair Groups

We compared the structural relations among four different groups of plan pairs. The first group consisted of the 8 pairs, which contained tested source cases ($t_1, t_4, t_6, t_8, t_{11}, t_{14}, t_{15}$, and t_{16}). The second group of plan pairs contained the 8 pairs with self-generated source plans (t_2 ,

type of change	The 16 actual modification tasks		The 11 most similar case pairs	
	source is refitting root	source is refitting child	source is refitting root	source is refitting child
additional chuckings	0.25	0.13	0.00	0.14
eliminated chuckings	0.00	0.13	0.00	0.14
new parallel executions	0.13	0.25	0.25	0.29
new serial executions	0.13	0.25	0.25	0.14
splitted operations	0.75	0.00	0.50	0.00
joined operations	1.13	0.00	1.25	0.00
reordering of operations	0.75	0.50	1.00	0.43
cutting path changes	3.75	0.25	6.75	1.43
cutting parameter changes	5.63	4.25	8.75	2.86
toolholder changes	4.88	2.50	8.50	1.57
cutting tool changes	5.25	4.00	8.00	2.86
total number of case pairs	8	8	4	7
total number of cuts in source	61	57	34	46
total number of cuts in target	53	55	36	41

Table 2: Average number of different types of changes from the source to the target case for the 16 performed modification tasks (see Figure 2) and 11 most similar case pairs from the abstraction hierarchy.

t₅, t₇, t₉, t₁₀, t₁₂, t₁₃, and t₁₇). The abstraction hierarchy of problem classes (see Figure 1 and for more details Schmalhofer & Thoben (1992)) was used for defining the third and fourth group of plan pairs. More specifically, for each of the 16 target plans, the most similar plan according to the abstraction hierarchy was selected as a hypothetical source case and the structural relations of these case pairs were analyzed. Group 3 contains the plan pairs, where the source plan was m₁, m₂, m₃, or m₄ (i.e. the refitting roots): m₃ - g₁w₁d₃, m₁ - g₁w₁d₃, m₂ - g₂w₁d₃, m₃ - g₃w₂d₂. Group 4 contains the plan pairs, where the source plan was a self-generated plan: g₃w₃d₁ - g₃w₁d₁, g₃w₃d₁ - g₃w₂d₁, g₁w₁d₃ - g₁w₁d₂, g₁w₄d₂ - g₁w₄d₃, g₅w₃d₂ - g₅w₃d₃, g₅w₃d₂ - g₂w₃d₂, g₁w₄d₃ - g₂w₄d₃.

The results of this analysis are shown in Table 2. In general, fewer structural changes were observed between the (real or hypothetical) source and the target case, when the source case was also self-generated (i.e. a refitting child) than when the source case was generated by somebody else (i.e. a refitting root). And as expected, changes of the operations themselves occurred less frequently than parameter changes (e.g. cutting parameter changes).

3.3 Assessing the Expert's Consistency in the Source-Case Selections

In order to assess the expert's consistency in selecting the same source case as the most similar one to a given target problem, further data were collected from the expert who had performed the 16 refitting tasks (HW). In addition an additional expert (RL) had to perform the same task. The task consisted in selecting the most similar source from the cases m₁, m₂, m₃, m₄ and m₅ to each of the 16 target problems, for which a plan modification was performed. In addition, the similarity between the source and target problem had to be estimated by a number between 1 and 7. Whereas 1 meant the lowest similarity, 7 indicated the highest possible similarity. Table 3 shows the results in comparison to the actually used source case. For self-generated source cases, the refitting roots (see Figure 2) were also determined.

From Table 3 it can be seen that the cases which were identified as most similar by HW correspond in only 50 percent to the actually selected source case or root of the source case (i.e. the refitting root) in the refitting task. There is also only a 47 percent consistency between the two experts. However, when only those cases, which were identified as most similar with a similarity rating of 7 are considered, the two experts agreed in 100 percent of the cases. More details have been reported by Thoben, Schmalhofer & Reinartz.

4. Conclusion

Our main purpose for having an expert refit old plans to new problems was to obtain a sufficient number of cases for developing a Case Oriented Expert System for production planning in mechanical engineering. Although there is now a sufficient number of cases available for constructing skeletal plans for the important set of medium level problem classes (i.e. for all classes with a solid node in Figure 1), further prerequisites must be satisfied. Unlike case-based reasoning which does not make such strong prerequisites, Case Oriented Expert Systems require that all prototypical cases follow the same design rationale. This requirement arises from the fact, that several layers of more and more abstract skeletal plans are to be constructed from these cases, so that deductive justifications will exist for the resulting state and operator sequence abstraction mappings (Bergmann & Schmalhofer, 1992). We will consequently have to test, whether the cases of the refitting roots (m₁, m₂, m₃, m₄, and m₅) follow the same design rationale as the cases generated by the expert HW.

problem		HW		RL
task	target case	actually used source with (refitting root)	most similar case identified	most similar case identified
t ₁	g3w3d1	m3	m5 : 5	m3 : 1
t ₂	g3w1d1	g3w3d1 (m3)	m4 : 6	m3 : 2
t ₄	g3w4d1	m3	m4 : 3	m3 : 1
t ₅	g3w2d1	g3w3d1 (m3)	m4 : 4	m3 : 3
t ₆	g1w2d3	m1	m1 : 3	m2 : 6
t ₇	g1w1d3	g1w2d3 (m1)	m1 : 4	m2 : 6
t ₈	g2w1d3	m2	m2 : 7	m2 : 7
t ₉	g1w1d2	g1w1d3 (m1)	m1 : 4	m2 : 6
t ₁₀	g1w4d2	g1w1d2 (m1)	m1 : 6	m1 : 5
t ₁₁	g5w3d2	m4	m5 : 7	m5 : 7
t ₁₂	g1w4d3	g1w4d2 (m1)	m1 : 7	m1 : 7
t ₁₃	g5w3d3	g5w3d2 (m4)	m5 : 7	m5 : 7
t ₁₄	g3w2d3	m3	m3 : 7	m3 : 7
t ₁₅	g3w2d2	m3	m3 : 7	m3 : 5
t ₁₆	g2w4d3	m3	m2 : 3	m2 : 3
t ₁₇	g2w3d2	g2w4d3 (m3)	m2 : 4	m5 : 4

Table 3: Consistency assessment between two experts (HW and RL) and two different tasks: Actual source selection and most similar case identification with similarity judgement.

Our study also yielded a typology for the structural relations between the old and the refitted plans. In some situations refitting purely consisted of small scale modifications (e.g. parameter changes) of the building blocks (i.e. macrooperators) of a plan, while the global structure of the plan (e.g. a complete or partial execution order) was maintained. Under other circumstances, the global structure of the plan was modified according to some well justifiably rationale. In still other situations, rather creative processes were applied: Operations were splitted and rearranged in different ways and the execution order was changed in a quite unpredictable way (see Figure 3). Such changes may be an indication for different underlying design rationales. The inconsistencies between different experts are another indication for idiosyncratic planning rationales.

The expert's refitting task is also similar to the task a user would perform with the expert system. As the expert in our study, the user (or the system) has to select the most similar

abstract (or concrete) plan and refine (or refit) it to the problem at hand. From the observation, that different experts preferred different plans to be most similar to a given problem, we may conclude that expert systems should accommodate such differences in personal user preferences. In other words expert systems should be more user-oriented and user-situated applications should also be possible in expert systems.

Acknowledgments

This research was supported by grant ITW 8902 C4 from BMFT (German Ministry for Science and Technology) and by grant Schm 648/1 from DFG (German Science Foundation). We would like to thank Dipl.-Ing. Ralf Legleitner and Hans-Werner Höper for serving as experts in this study. Thomas Reinartz helped in analyzing the recorded materials. The comments of Angi Voss and Stefan Wess on a previous version of this paper are also much appreciated.

References

- Bergmann, R. (1992). Knowledge Acquisition by generating skeletal plans from real world cases. In Schmalhofer, F., Strube, G., & Wetter, T. (Eds.), Contemporary Knowledge Engineering and Cognition (pp. \$pages). Berlin/Heidelberg: Springer-Verlag.
- Bergmann, R. & Schmalhofer, F. (1991). CECoS: A case experience combination system for knowledge acquisition for expert systems. Behavior Research Methods, Instruments, & Computers, 23, 142-148.
- Bergmann, R. & Schmalhofer, F. (1992). Learning Plan Abstractions: Formal Model and Method. In Biundo, S. & Schmalhofer, F. (Eds.), Proceedings of the DFKI Workshop on Planning, DFKI-Document D-92nn, pp. 20-24.
- Breuker, J. & Wielinga, B. (1989). Models of expertise in knowledge acquisition. In Guida, G. & Tasso, C. (Eds.), Topics in expert system design, methodologies and tools (pp. 265 - 295). Amsterdam, Netherlands: North Holland.
- Carbonell, J.G. (1986). Derivational analogy: A theory of reconstructive problem solving and expertise acquisition. In Michalski, R.S., Carbonell, J.G., & Mitchell, T.M. (Eds.), Machine Learning: An artificial intelligence approach (Vol. 2, pp. 371-392). Los Altos, CA: Morgan Kaufmann.
- Friedland, P.E. & Iwasaki, Y. (1985). The concept and implementation of skeletal plans. Journal of Automated Reasoning, 1, 161-208.
- Hammond, K. (1989). Case-based planning. London: Academic Press.
- Kühn, O. & Schmalhofer, F. (1992). Hierarchical skeletal plan refinement: Task-and inference structures. In Bauer, C. & Karbach, W. (Eds) Proceedings of the 2nd KADS User Meeting (pp. 201-210) München: Siemens AG.
- Schmalhofer, F. & Bergmann, R. (1992). Plan Recognition by Constructing Skeletal Programs as Abstractions from Symbolic Execution Traces, manuscript, DFKI Kaiserslautern.
- Schmalhofer, F., Bergmann, R., Kühn, O., & Schmidt, G. (1991). Using integrated knowledge acquisition to prepare sophisticated expert plans for their re-use in novel situations. In Christaller, T. (Ed.), GWAI-91: 15. Fachtagung Künstliche Intelligenz (pp. 62-73). Berlin: Springer-Verlag.
- Schmalhofer, F., Kühn, O., & Schmidt, G. (1991). Integrated knowledge acquisition from text, previously solved cases, and expert memories. Applied Artificial Intelligence, 5, 311-337.
- Schmalhofer, F., Reinartz, T. & Tschaitchian, B. (in press). Intelligent documentation as a catalyst for developing cooperative knowledge-based systems. In Wetter, Th., Althoff, K.D., Boose, J., Gaines, B. Linster, M. & Schmalhofer, F. (Eds) Current Developments in Knowledge Acquisition: EKAW-92 Heidelberg: Springer-Verlag.
- Schmalhofer, F. & Thoben, J. (1992). The model-based construction of a case oriented expert system. AI-Communications, 5, 1, 3-18.
- Thoben, J., Schmalhofer, F., & Reinartz, T. (1991). Wiederholungs- Varianten- und Neuplanung bei der Fertigung rotationssymmetrischer Drehteile (DFKI-Document No. D-91-16). Kaiserslautern, Germany: German Research Center for Artificial Intelligence.



DFKI Publikationen

Die folgenden DFKI Veröffentlichungen sowie die aktuelle Liste von allen bisher erschienenen Publikationen können von der oben angegebenen Adresse oder per anonymem ftp von ftp.dfki.uni-kl.de (131.246.241.100) unter pub/Publications bezogen werden.

Die Berichte werden, wenn nicht anders gekennzeichnet, kostenlos abgegeben.

DFKI Publications

The following DFKI publications or the list of all published papers so far are obtainable from the above address or via anonymous ftp from ftp.dfki.uni-kl.de (131.246.241.100) under pub/Publications.

The reports are distributed free of charge except if otherwise indicated.

DFKI Research Reports

RR-93-14

Joachim Niehren, Andreas Podelski, Ralf Treinen:
Equational and Membership Constraints for Infinite Trees
33 pages

RR-93-15

Frank Berger, Thomas Fehrle, Kristof Klöckner, Volker Schölles, Markus A. Thies, Wolfgang Wahlster: PLUS - Plan-based User Support Final Project Report
33 pages

RR-93-16

Gert Smolka, Martin Henz, Jörg Würtz: Object-Oriented Concurrent Constraint Programming in Oz
17 pages

RR-93-17

Rolf Backofen:
Regular Path Expressions in Feature Logic
37 pages

RR-93-18

Klaus Schild: Terminological Cycles and the Propositional μ -Calculus
32 pages

RR-93-20

Franz Baader, Bernhard Hollunder:
Embedding Defaults into Terminological Knowledge Representation Formalisms
34 pages

RR-93-22

Manfred Meyer, Jörg Müller:
Weak Looking-Ahead and its Application in Computer-Aided Process Planning
17 pages

RR-93-23

Andreas Dengel, Ottmar Lutz:
Comparative Study of Connectionist Simulators
20 pages

RR-93-24

Rainer Hoch, Andreas Dengel:
Document Highlighting –
Message Classification in Printed Business Letters
17 pages

RR-93-25

Klaus Fischer, Norbert Kuhn: A DAI Approach to Modeling the Transportation Domain
93 pages

RR-93-26

Jörg P. Müller, Markus Pischel: The Agent Architecture InteRRaP: Concept and Application
99 pages

RR-93-27

Hans-Ulrich Krieger:
Derivation Without Lexical Rules
33 pages

RR-93-28

Hans-Ulrich Krieger, John Nerbonne, Hannes Pirker: Feature-Based Allomorphy
8 pages

RR-93-29

Armin Laux: Representing Belief in Multi-Agent Worlds via Terminological Logics
35 pages

RR-93-30

Stephen P. Spackman, Elizabeth A. Hinkelman:
Corporate Agents
14 pages

RR-93-31

Elizabeth A. Hinkelman, Stephen P. Spackman:
Abductive Speech Act Recognition, Corporate Agents and the COSMA System
34 pages

RR-93-32

David R. Traum, Elizabeth A. Hinkelman:
Conversation Acts in Task-Oriented Spoken
Dialogue
28 pages

RR-93-33

Bernhard Nebel, Jana Koehler:
Plan Reuse versus Plan Generation: A Theoretical
and Empirical Analysis
33 pages

RR-93-34

Wolfgang Wahlster:
Verbmobil Translation of Face-To-Face Dialogs
10 pages

RR-93-35

Harold Boley, François Bry, Ulrich Geske (Eds.):
Neuere Entwicklungen der deklarativen KI-
Programmierung — *Proceedings*
150 Seiten

Note: This document is available only for a
nominal charge of 25 DM (or 15 US-\$).

RR-93-36

*Michael M. Richter, Bernd Bachmann, Ansgar
Bernardi, Christoph Klauck, Ralf Legleitner,
Gabriele Schmidt:* Von IDA bis IMCOD:
Expertensysteme im CIM-Umfeld
13 Seiten

RR-93-38

Stephan Baumann: Document Recognition of
Printed Scores and Transformation into MIDI
24 pages

RR-93-40

*Francesco M. Donini, Maurizio Lenzerini, Daniele
Nardi, Werner Nutt, Andrea Schaerf:*
Queries, Rules and Definitions as Epistemic
Statements in Concept Languages
23 pages

RR-93-41

Winfried H. Graf: LAYLAB: A Constraint-Based
Layout Manager for Multimedia Presentations
9 pages

RR-93-42

Hubert Comon, Ralf Treinen:
The First-Order Theory of Lexicographic Path
Orderings is Undecidable
9 pages

RR-93-43

M. Bauer, G. Paul: Logic-based Plan Recognition
for Intelligent Help Systems
15 pages

RR-93-44

*Martin Buchheit, Manfred A. Jeusfeld, Werner Nutt,
Martin Staudt:* Subsumption between Queries to
Object-Oriented Databases
36 pages

RR-93-45

Rainer Hoch: On Virtual Partitioning of Large
Dictionaries for Contextual Post-Processing to
Improve Character Recognition
21 pages

RR-93-46

Philipp Hanschke: A Declarative Integration of
Terminological, Constraint-based, Data-driven, and
Goal-directed Reasoning
81 pages

RR-93-48

Franz Baader, Martin Buchheit, Bernhard Hollunder:
Cardinality Restrictions on Concepts
20 pages

RR-94-01

Elisabeth André, Thomas Rist:
Multimedia Presentations:
The Support of Passive and Active Viewing
15 pages

RR-94-02

Elisabeth André, Thomas Rist:
Von Textgeneratoren zu Intellimedia-
Präsentationssystemen
22 Seiten

RR-94-03

Gert Smolka:
A Calculus for Higher-Order Concurrent Constraint
Programming with Deep Guards
34 pages

RR-94-05

*Franz Schmalhofer,
J. Stuart Aitken, Lyle E. Bourne jr.:*
Beyond the Knowledge Level: Descriptions of
Rational Behavior for Sharing and Reuse
81 pages

RR-94-06

Dietmar Dengler:
An Adaptive Deductive Planning System
17 pages

RR-94-07

Harold Boley: Finite Domains and Exclusions as
First-Class Citizens
25 pages

RR-94-08

Otto Kühn, Björn Höfling: Conserving Corporate
Knowledge for Crankshaft Design
17 pages

RR-94-10

Knut Hinkelmann, Helge Hintze:
Computing Cost Estimates for Proof Strategies
22 pages

RR-94-11

Knut Hinkelmann: A Consequence Finding
Approach for Feature Recognition in CAPP
18 pages

RR-94-12

Hubert Comon, Ralf Treinen:
Ordering Constraints on Trees
34 pages

RR-94-13

Jana Koehler: Planning from Second Principles
— A Logic-based Approach
49 pages

RR-94-14

Harold Boley, Ulrich Buhrmann, Christof Kremer:
Towards a Sharable Knowledge Base on Recyclable
Plastics
14 pages

RR-94-15

Winfried H. Graf, Stefan Neurohr: Using Graphical
Style and Visibility Constraints for a Meaningful
Layout in Visual Programming Interfaces
20 pages

RR-94-16

Gert Smolka: A Foundation for Higher-order
Concurrent Constraint Programming
26 pages

RR-94-17

Georg Struth:
Philosophical Logics — A Survey and a Bibliography
58 pages

RR-94-18

Rolf Backofen, Ralf Treinen:
How to Win a Game with Features
18 pages

RR-94-20

Christian Schulte, Gert Smolka, Jörg Würtz:
Encapsulated Search and Constraint Programming in
Oz
21 pages

RR-94-31

*Otto Kühn, Volker Becker,
Georg Lohse, Philipp Neumann:*
Integrated Knowledge Utilization and Evolution for
the Conservation of Corporate Know-How
17 pages

RR-94-33

Franz Baader, Armin Laux:
Terminological Logics with Modal Operators
29 pages

DFKI Technical Memos**TM-92-04**

*Jürgen Müller, Jörg Müller, Markus Pischel,
Ralf Scheidhauer:*
On the Representation of Temporal Knowledge
61 pages

TM-92-05

Franz Schmalhofer, Christoph Globig, Jörg Thoben:
The refitting of plans by a human expert
10 pages

TM-92-06

Otto Kühn, Franz Schmalhofer: Hierarchical skeletal
plan refinement: Task- and inference structures
14 pages

TM-92-08

Anne Kilger: Realization of Tree Adjoining
Grammars with Unification
27 pages

TM-93-01

Otto Kühn, Andreas Birk: Reconstructive Integrated
Explanation of Lathe Production Plans
20 pages

TM-93-02

Pierre Sablayrolles, Achim Schupeta:
Conflict Resolving Negotiation for COoperative
Schedule Management
21 pages

TM-93-03

Harold Boley, Ulrich Buhrmann, Christof Kremer:
Konzeption einer deklarativen Wissensbasis über
recyclingrelevante Materialien
11 pages

TM-93-04

Hans-Günther Hein:
Propagation Techniques in WAM-based
Architectures — The FIDO-III Approach
105 pages

TM-93-05

Michael Sintek: Indexing PROLOG Procedures into
DAGs by Heuristic Classification
64 pages

TM-94-01

Rainer Bleisinger, Klaus-Peter Gores:
Text Skimming as a Part in Paper Document
Understanding
14 pages

TM-94-02

Rainer Bleisinger, Berthold Kröll:
Representation of Non-Convex Time Intervals and
Propagation of Non-Convex Relations
11 pages

DFKI Documents

D-93-14

Manfred Meyer (Ed.): Constraint Processing – Proceedings of the International Workshop at CSAM'93, July 20-21, 1993
264 pages

Note: This document is available only for a nominal charge of 25 DM (or 15 US-\$).

D-93-15

Robert Laux:
Untersuchung maschineller Lernverfahren und heuristischer Methoden im Hinblick auf deren Kombination zur Unterstützung eines Chart-Parsers
86 Seiten

D-93-16

Bernd Bachmann, Ansgar Bernardi, Christoph Klauck, Gabriele Schmidt: Design & KI
74 Seiten

D-93-20

Bernhard Herbig:
Eine homogene Implementierungsebene für einen hybriden Wissensrepräsentationsformalismus
97 Seiten

D-93-21

Dennis Drollinger:
Intelligentes Backtracking in Inferenzsystemen am Beispiel Terminologischer Logiken
53 Seiten

D-93-22

Andreas Abecker:
Implementierung graphischer Benutzungsoberflächen mit Tcl/Tk und Common Lisp
44 Seiten

D-93-24

Brigitte Krenn, Martin Volk:
DiTo-Datenbank: Datendokumentation zu Funktionsverbgefügen und Relativsätzen
66 Seiten

D-93-25

Hans-Jürgen Bürckert, Werner Nutt (Eds.):
Modeling Epistemic Propositions
118 pages

Note: This document is available only for a nominal charge of 25 DM (or 15 US-\$).

D-93-26

Frank Peters: Unterstützung des Experten bei der Formalisierung von Textwissen
INFOCOM:
Eine interaktive Formalisierungskomponente
58 Seiten

D-93-27

Rolf Backofen, Hans-Ulrich Krieger, Stephen P. Spackman, Hans Uszkoreit (Eds.):
Report of the EAGLES Workshop on Implemented Formalisms at DFKI, Saarbrücken
110 pages

D-94-01

Josua Boon (Ed.):
DFKI-Publications: The First Four Years
1990 - 1993
75 pages

D-94-02

Markus Steffens: Wissenserhebung und Analyse zum Entwicklungsprozeß eines Druckbehälters aus Faserverbundstoff
90 pages

D-94-03

Franz Schmalhofer: Maschinelles Lernen: Eine kognitionswissenschaftliche Betrachtung
54 pages

D-94-04

Franz Schmalhofer, Ludger van Elst:
Entwicklung von Expertensystemen: Prototypen, Tiefenmodellierung und kooperative Wissensrevolution
22 pages

D-94-06

Ulrich Buhrmann:
Erstellung einer deklarativen Wissensbasis über recyclingrelevante Materialien
117 pages

D-94-07

Claudia Wenzel, Rainer Hoch:
Eine Übersicht über Information Retrieval (IR) und NLP-Verfahren zur Klassifikation von Texten
25 Seiten

D-94-08

Harald Feibel: IGLOO 1.0 - Eine grafikunterstützte Beweisentwicklungsumgebung
58 Seiten

D-94-09

DFKI Wissenschaftlich-Technischer Jahresbericht 1993
145 Seiten

D-94-10

F. Baader, M. Lenzerini, W. Nutt, P. F. Patel-Schneider (Eds.): Working Notes of the 1994 International Workshop on Description Logics
118 pages

Note: This document is available only for a nominal charge of 25 DM (or 15 US-\$).

D-94-11

F. Baader, M. Buchheit, M. A. Jeusfeld, W. Nutt (Eds.):
Working Notes of the KI'94 Workshop: KRDB'94 - Reasoning about Structured Objects: Knowledge Representation Meets Databases
65 Seiten

D-94-12

Arthur Schn, Serge Autexier (Hrsg.): Proceedings des Studentenprogramms der 18. Deutschen Jahrestagung für Künstliche Intelligenz KI-94
69 Seiten